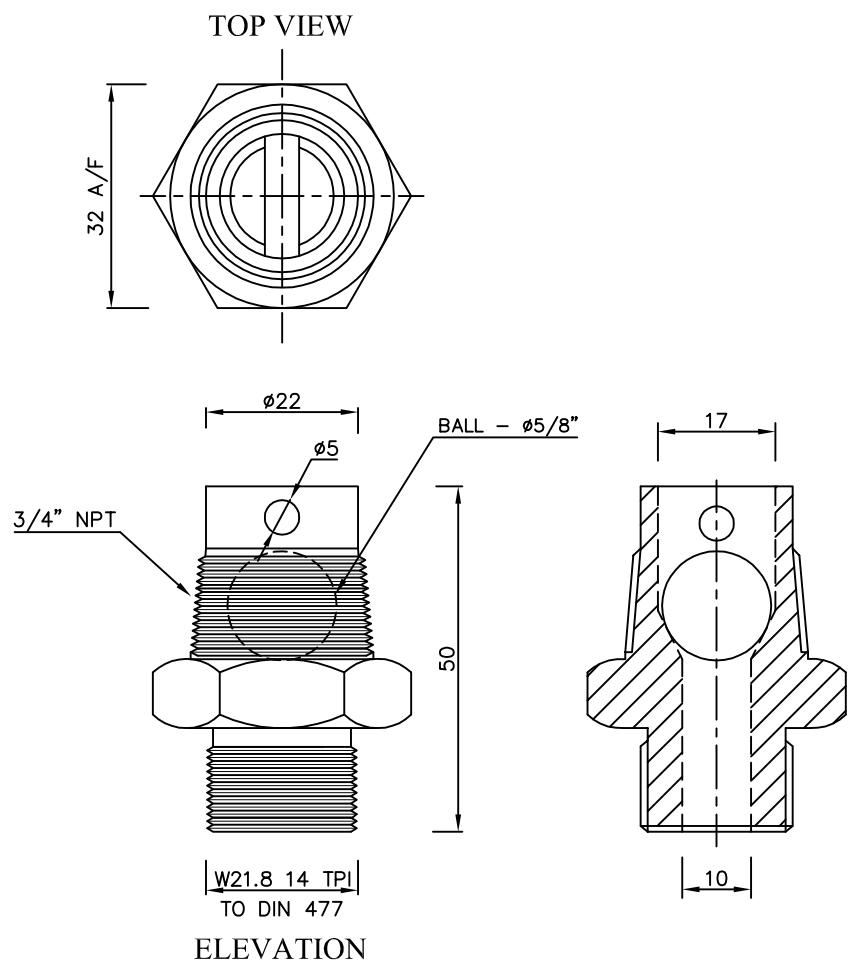


DATA SHEET	NON RETURN VALVE	PART NO : IH019
-------------------	-------------------------	-----------------

OLD DWG.NO DP-5.8/08-031 NEW DWG.NO.:DP-5.8/MT-235	DATE: APR. 2021	REV : 03	SCALE : N.T.S	SHEET : 1 OF 1	APPD. BY:DBS
---	-----------------	----------	---------------	----------------	--------------

INTRODUCTION :-

NON RETURN VALVE SUITABLE FOR CONNECTING BETWEEN CYLINDER DISCHARGE HOSE AND HEADER IN GAS BASED FIXED FIRE EXTINGUISHING SYSTEMS TO PREVENT BACKFLOW OF GAS.
 REV-02: UPDATED TECHNICAL SPECIFICATIONS AND PRODUCT NAME.
 REV-03: SPECIFICATION UPDATED.



- NOTE:**
1. ALL DIMENSIONS ARE IN "mm" UNLESS OTHERWISE SPECIFIED.
 2. TOLERANCE ON DIMENSION ± 3 MM, UNLESS OTHERWISE SPECIFIED.

TECHNICAL SPECIFICATION		
01.	MANUFACTURER	AGNI CONTROLS - CHENNAI
02.	MATERIAL OF CONSTRUCTION	BRASS
03.	TESTING PRESSURE	100 BAR HYDRAULIC
04.	WORKING PRESSURE	60 BAR
05.	WEIGHT	0.2 Kg (APP.)

IMPORTANT:
 AGNI CONTROLS RESERVES THE RIGHT TO CHANGE OR MODIFY WITHOUT PREVIOUS NOTICE ANY DATA OR SPECIFICATION DUE TO CHANGES OR MODIFICATION IN ORDER TO IMPROVE THE PRODUCTS / SYSTEM PRESENTED.

**AGNI CONTROLS
CHENNAI**

**ISO 9001 - 2015
CERTIFIED COMPANY**

NO.1, 6TH STREET, Dr.SUBBARAYAN NAGAR,
 KODAMBAKKAM, CHENNAI-600 024, INDIA.
 PHONE : +91 44 2481 2420,
 E-MAIL : engineering@agnicontrols.com WEBSITE : www.balafire.com