

DATA SHEET**FUSIBLE BULB TYPE LINK**

PART NO : B233

DWG NO : 085

DATE : 07-04-06

REVISION : 00

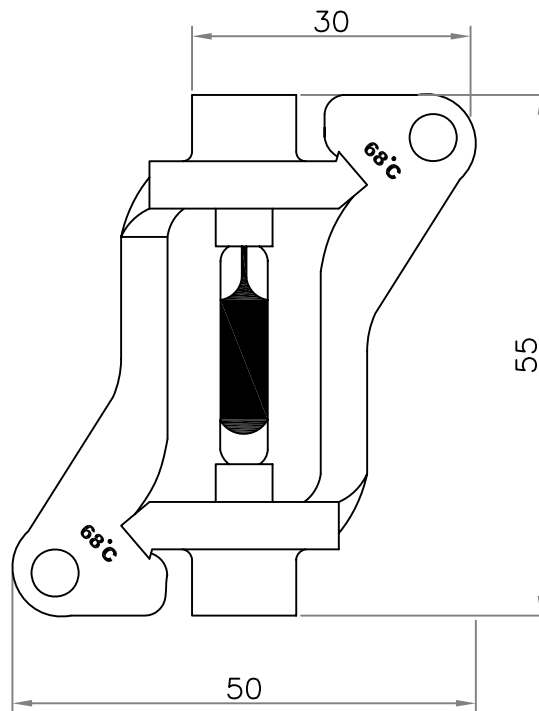
SCALE : N.T.S

SHEET : 1 OF 1

APPD. BY : _____

INTRODUCTION :-

FUSE LINK TO BE USED FOR FIRE PROOF DOORS WITH SUITABLE COUNTER WEIGHT



ALL DIMENSIONS ARE IN "mm" UNLESS OTHERWISE SPECIFIED.

TECHNICAL SPECIFICATION

01.	MANUFACTURER	HD – FIRE
02.	TEMPERATURE RANGE	68°C
03.	LINK	FORGED BRASS IS : 319-I
04.	BULB	QUARTZOID BULB
05.	LINK TEST LOAD	125 Kg.

IMPORTANT:

AGNI CONTROLS RESERVES THE RIGHT TO CHANGE OR MODIFY WITHOUT PREVIOUS NOTICE ANY DATA OR SPECIFICATION DUE TO CHANGES OR MODIFICATION IN ORDER TO IMPROVE THE PRODUCTS / SYSTEM PRESENTED.



AGNI CONTROLS®
CHENNAI

NO.1, 6TH STREET, Dr.SUBBARAYAN NAGAR,
KODAMBAKKAM, CHENNAI-600 024, INDIA.

PHONE : +91 44 2481 2420, FAX : +91 44 2481 2475,

E-MAIL : engineering@agnicontrols.com WEBSITE : www.balafire.com

