

DATA SHEET

FIRE DIVERSION DAMPER

PART NO : IH174/Y*
OLD PART NO :IH174

OLD REF NO :235
DP-5.8/08-097

DATE : NOV-2010

REVISION : 00

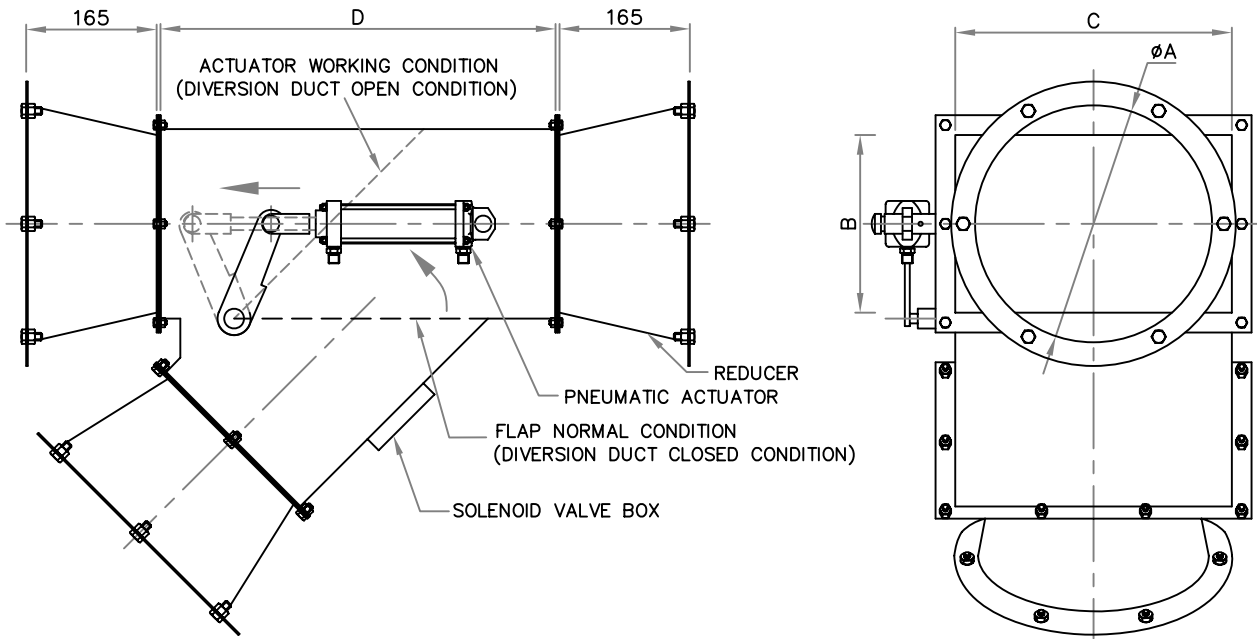
SCALE : N.T.S

SHEET : 1 OF 1

APPD. BY :DB

INTRODUCTION :-

FIRE DIVERSION DAMPER WITH REDUCER AND MATCH RINGS SUITABLE TO FIX IN SUITABLE DIAMETER DUCTS. THE FUNCTION OF THE DIVERSION DAMPERS STOP THE BURNING COTTON FROM FLOWING THROUGH THE MAIN LINE AND OPENS THE WAY TO DIVERSION DUCT, ALLOWING THE BURNING COTTON TO FLOW THROUGH THE DIVERSION DUCT.



PART DIMENSIONS DETAIL

SL.No.	PART.No. *	φA	B	C	D
1.	IH174/Y*/220	220	160	300	450
2.	IH174/Y*/300	300	225	350	500
3.	IH174/Y*/350	350	250	400	525

NOTE :-

1. MATERIAL OF CONSTRUCTION-

BODY : 3.15mm THK C.R SHEET
REDUCER : 24 SWG (0.8mm) THK. G.I SHEET (UPTO φ350 DIVERSION DAMPERS).
REDUCER : 22 SWG (1mm) THK. G.I SHEET (ABOVE φ350 DIVERSION DAMPERS).

2. ALL DIMENSIONS ARE IN "mm" UNLESS OTHERWISE SPECIFIED.
3. TOLERANCE ON DIMENSION ± 3 mm, UNLESS OTHERWISE SPECIFIED.

TECHNICAL SPECIFICATION

01. MAKE	AGNI CONTROLS	06. AIR PRESSURE	4 BAR. TO 7 BAR.
02. CONTRUCTION	3.15mm – 10SWG, C.R. SHEET	06. SOLENOID VOLTAGE	24V DC.
03. PAINT SHADE	FIRE RED		
04. PAINTING PROCESS	POWDER COATING		
05. OPERATION	PNEUMATIC ACTUATION		

IMPORTANT:

AGNI CONTROLS RESERVES THE RIGHT TO CHANGE OR MODIFY WITHOUT PREVIOUS NOTICE ANY DATA OR SPECIFICATION DUE TO CHANGES OR MODIFICATION IN ORDER TO IMPROVE THE PRODUCTS / SYSTEM PRESENTED.



AGNI CONTROLS
CHENNAI

NO.1, 6TH STREET, Dr.SUBBARAYAN NAGAR,
KODAMBAKKAM, CHENNAI-600 024, INDIA.

PHONE : +91 44 2481 2420, FAX : +91 44 2481 2475,

E-MAIL : engineering@agnicontrols.com WEBSITE : www.balafire.com

ISO 9001 - 2008
CERTIFIED BY
BUREAU VERITAS