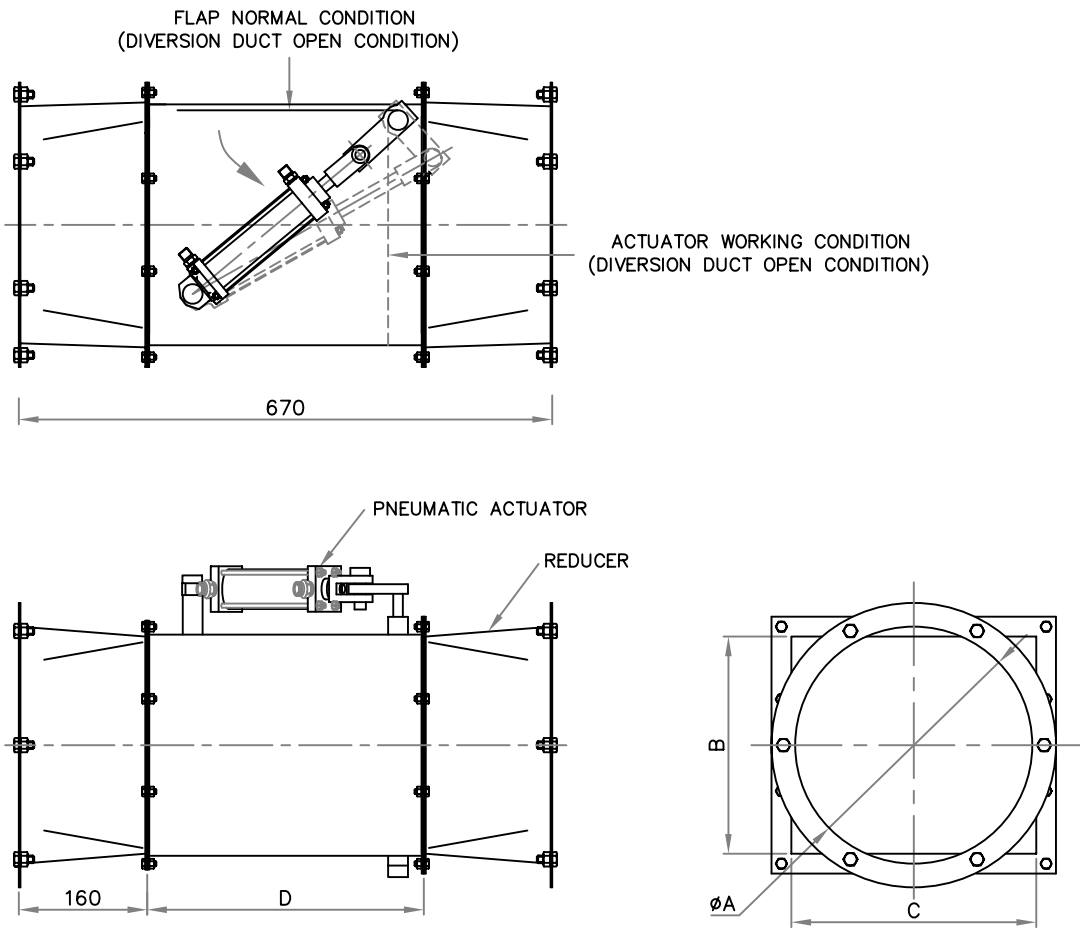


DATA SHEET	FIRE STOP DAMPER	PART NO : IH171/*
-------------------	-------------------------	-------------------

OLD REF NO : 258 DP-5.8/08-098	DATE : OCT-2009	REVISION : 00	SCALE : N.T.S	SHEET : 1 OF 1	APPD. BY : DB
-----------------------------------	-----------------	---------------	---------------	----------------	---------------

INTRODUCTION :-

FIRE STOP DAMPER WITH REDUCER AND MATCH RINGS SUITABLE TO FIX IN 220, 300 mm DIAMETER DUCTS. THE FUNCTION OF THE STOP DAMPERS ARE STOP THE BURNING COTTON FROM FLOWING THROUGH THE MAIN LINE.



PART DIMENSIONS DETAIL

SL.No.	PART.No. *	øA	B	C	D
1.	IH171/220	220	250	275	300
2.	IH171/300	300	275	300	350

ALL DIMENSIONS ARE IN "mm" UNLESS OTHERWISE SPECIFIED.

TECHNICAL SPECIFICATION

01.	MAKE	AGNI CONTROLS	
02.	CONSTRUCTION	3.15mm - 10SWG, C.R.SHEET	
03.	PAINT SHADE	FIRE RED	
04.	PAINTING PROCESS	POWDER COATING	

IMPORTANT:

AGNI CONTROLS RESERVES THE RIGHT TO CHANGE OR MODIFY WITHOUT PREVIOUS NOTICE ANY DATA OR SPECIFICATION DUE TO CHANGES OR MODIFICATION IN ORDER TO IMPROVE THE PRODUCTS / SYSTEM PRESENTED.



**ISO 9001 - 2008
CERTIFIED BY
BUREAU VERITAS**

NO.1, 6TH STREET, Dr.SUBBARAYAN NAGAR,
KODAMBAKKAM, CHENNAI-600 024, INDIA.
PHONE : +91 44 2481 2420, FAX : +91 44 2481 2475,
E-MAIL : engineering@agnicontrols.com WEBSITE : www.balafire.com