

DATA SHEET

MASTER CYLINDER VALVE PROTECTION CAP

PART NO : IH149*

OLD REF NO : 354
DP-5.8/08-117

DATE : OCT-2009

REVISION : 01

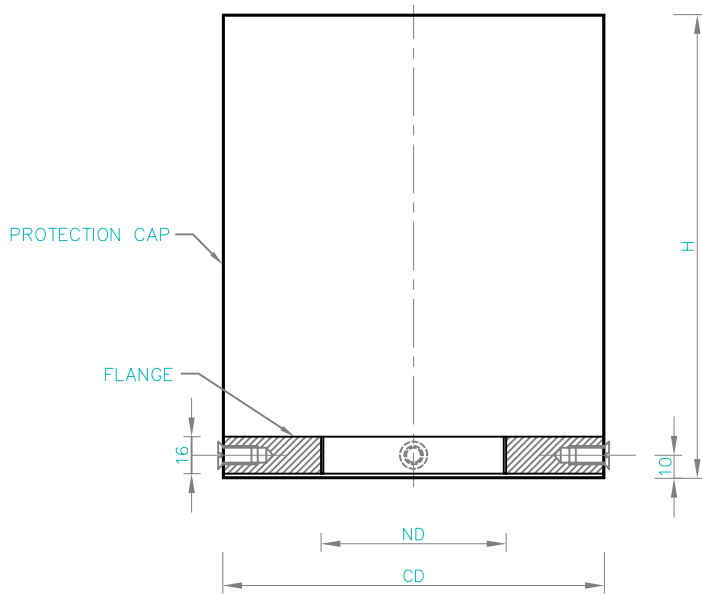
SCALE : N.T.S

SHEET : 1 OF 1

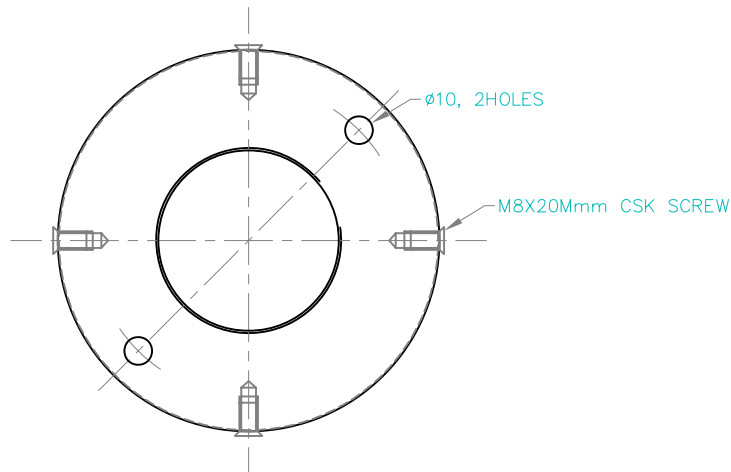
APPD. BY : DB12

INTRODUCTION :-

MASTER CYLINDER VALVE PROTECTION CAP IS USED TO PROTECT CYLINDER VALVE.



SL. NO.	PART.NO.	ND	CD	H
01.	IH149/180-M78	78	180	200
02.	IH149/180-M94	94	180	200



NOTE :

ND : NECK DIA
CD : CAP DIA
H : HEIGHT

- 01. ALL DIMENSIONS ARE IN "mm" UNLESS OTHERWISE SPECIFIED.
- 02. TOLERANCE ON DIMENSION ± 3 MM, UNLESS OTHERWISE SPECIFIED.

TECHNICAL SPECIFICATION

01. MAKE	AGNI CONTROLS – CHENNAI	05. PAINT SHADE	BLACK TEXTURED POWDER COATING
02. MATERIAL	FLANGE – 16mm THK. MS PLATE CAP – 3mm THK. CR SHEET, FASTENERS – MS ZINC COATED		
04. FLANGE THREAD SIZE	EKC / EUROTECH CYLINDERS		

IMPORTANT:

AGNI CONTROLS RESERVES THE RIGHT TO CHANGE OR MODIFY WITHOUT PREVIOUS NOTICE ANY DATA OR SPECIFICATION DUE TO CHANGES OR MODIFICATION IN ORDER TO IMPROVE THE PRODUCTS / SYSTEM PRESENTED.



**AGNI CONTROLS
CHENNAI**

**ISO 9001 - 2008
CERTIFIED BY
BUREAU VERITAS**

NO.1, 6TH STREET, Dr.SUBBARAYAN NAGAR,
KODAMBAKKAM, CHENNAI-600 024, INDIA.

PHONE : +91 44 2481 2420, FAX : +91 44 2481 2475,
E-MAIL : engineering@agnicontrols.com WEBSITE : www.balafire.com