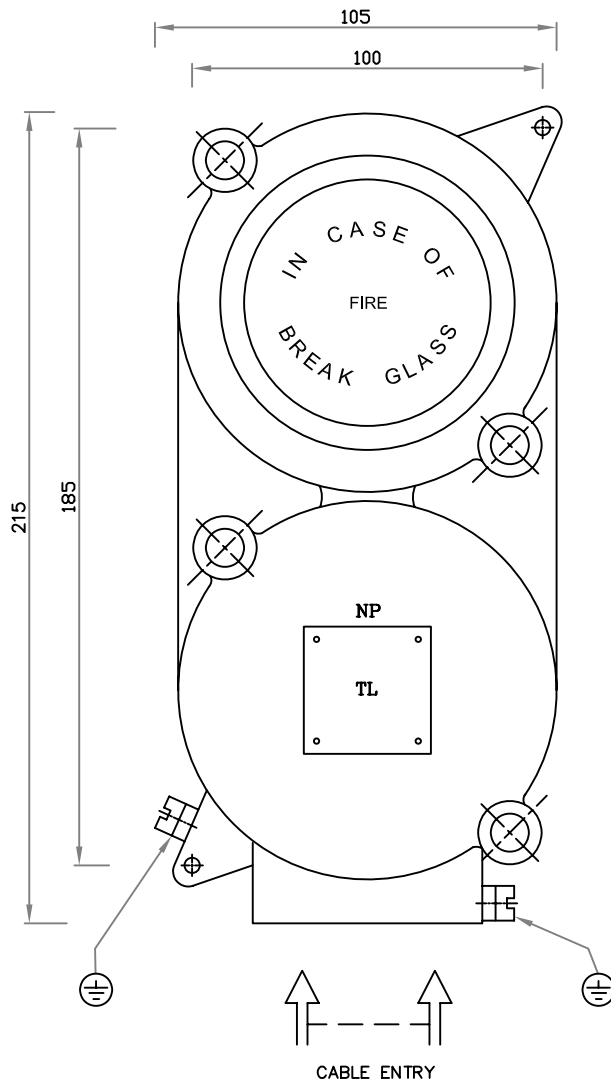


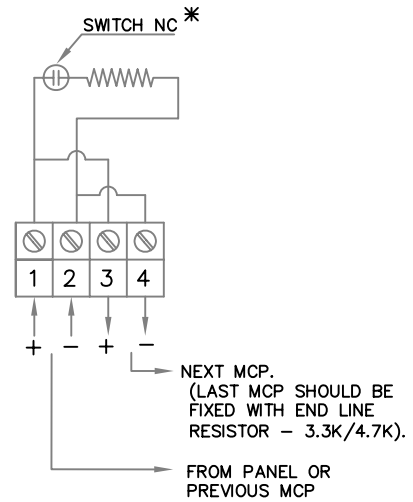
DATA SHEET	EXPLOSION PROOF MANUAL CALL POINT				PART NO : B145/1
DP-5.8/10-318	DATE : JUNE-2010	REVISION : 00	SCALE : N.T.S	SHEET : 1 OF 1	APPD. BY : DB

INTRODUCTION :-

EXPLOSION PROOF MANUAL CALL POINT IS USED TO ACTIVATE FIRE ALARM WARNING.
WHEN GLASS OF MCP IS BROKEN, PUSH SWITCH IS RELEASED TO CAUSE NO AND NC STATUS CHANGE.



INTERNAL WIRING



* SWITCH WILL BE IN OPEN CONDITION WHEN IT IS PRESSED, BY GLASS. IN CASE OF BREAKING GLASS, SWITCH WILL BE RELEASED, CONTACT WILL BE CLOSED, THUS ACTUATE LED ON & ALARM.

NOTE :

1. ALL DIMENSIONS ARE IN "mm" UNLESS OTHERWISE SPECIFIED.
2. TOLERANCE ON DIMENSION ± 3 mm, UNLESS OTHERWISE SPECIFIED.

TECHNICAL SPECIFICATION

01.	MAKE	BALIGA	07.	MATERIALS	ALUMINIUM LM6
02.	MODEL NO.	FPBS 52100FA	08.	VOLTAGE RATING	500V, 50HZ AC
03.	EXPLOSION PROOF	ZONE - I & 2	09.	CABLE ENTRY	2 X 3/4" ET
04.	GAS GROUPS	GROUP I, IIA, IIB AS PER IS:2148/81	10.	FINISH	ANTI CORROSIVE EPOXY POWDER COATED
05.	IP CLASS	IP 65	11.	GASKET	NEOPRENE
06.	TERMINALS	4 X 2.5 Sq. mm			

IMPORTANT:

AGNI CONTROLS RESERVES THE RIGHT TO CHANGE OR MODIFY WITHOUT PREVIOUS NOTICE ANY DATA OR SPECIFICATION DUE TO CHANGES OR MODIFICATION IN ORDER TO IMPROVE THE PRODUCTS / SYSTEM PRESENTED.



NO.1, 6TH STREET, Dr.SUBBARAYAN NAGAR, KODAMBAKKAM, CHENNAI-600 024, INDIA.

PHONE : +91 44 2481 2420, FAX : +91 44 2481 2475,

E-MAIL : engineering@agnicontrols.com WEBSITE : www.balafire.com

**ISO 9001 - 2008
CERTIFIED BY
BUREAU VERITAS**