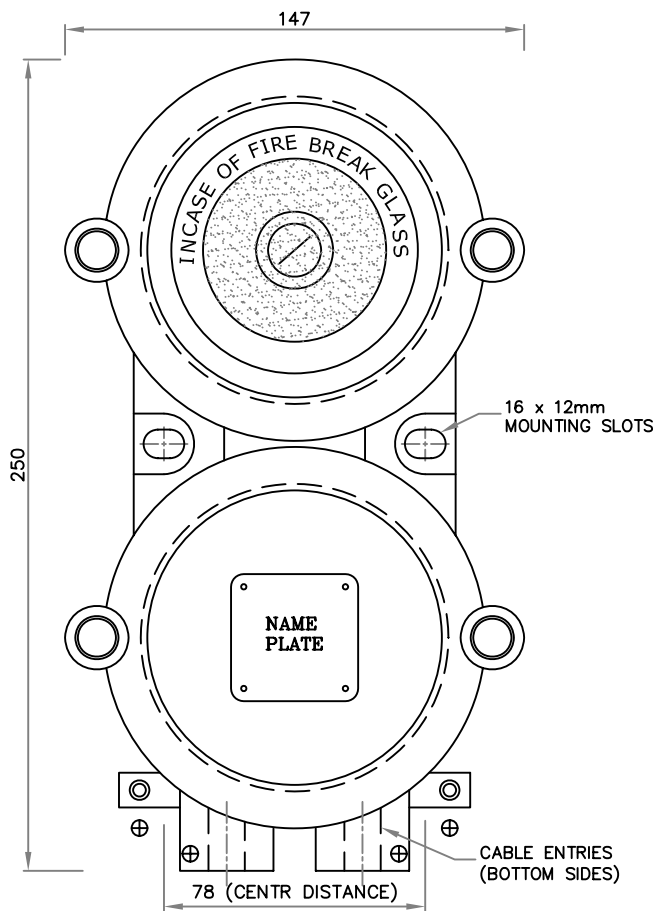


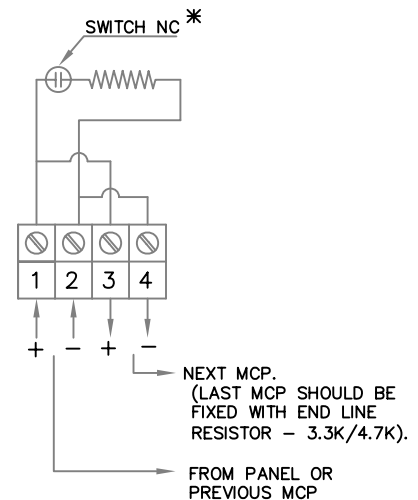
DATA SHEET	EXPLOSION PROOF MANUAL CALL POINT			PART NO : B145	
OLD REF NO :199	DATE :OCT-2009	REVISION : 00	SCALE : N.T.S	SHEET : 1 OF 1	APPD. BY :DB05
DP-5.8/08-065					

INTRODUCTION :-

EXPLOSION PROOF MANUAL CALL POINT IS USED TO ACTIVATE FIRE ALARM WARNING.
WHEN GLASS OF MCP IS BROKEN, PUSH SWITCH IS RELEASED TO CAUSE NO AND NC STATUS CHANGE.



INTERNAL WIRING



* SWITCH WILL BE IN OPEN CONDITION WHEN IT IS PRESSED, BY GLASS. IN CASE OF BREAKING GLASS, SWITCH WILL BE RELEASED, CONTACT WILL BE CLOSED, THUS ACTUATE LED ON & ALARM.

ALL DIMENSIONS ARE IN "mm" UNLESS OTHERWISE SPECIFIED.

TECHNICAL SPECIFICATION

01.	MAKE	SHYAAM SWITCHGEARS	07.	MATERIALS	CAST ALUMINIUM ALLOY LM6
02.	CAT. NO.	SSPL / PBS / 1010	08.	ELEMENTS RATING	10A, 415V, 1NO + 1NC
03.	EXPLOSION PROOF	ZONE - I & 2 AS PER IS :2148	09.	GLASS	FLAT 3mm Thk. BREAKABLE GLASS
04.	GROUP	I, IIA & IIB AS PER IS :2148	10.	CABLE ENTRY	3/4" ET - 2 Nos.
05.	IP CLASS	IP 65 AS PER IS :13947	11.	FINISH	POST OFFICE RED EPOXY
06.	TERMINALS	2.5 / 4 Sq. mm CLIP ON - 3 Nos.	12.	GASKET	'O' RING ENDLESS NEOPRENE

IMPORTANT:

AGNI CONTROLS RESERVES THE RIGHT TO CHANGE OR MODIFY WITHOUT PREVIOUS NOTICE ANY DATA OR SPECIFICATION DUE TO CHANGES OR MODIFICATION IN ORDER TO IMPROVE THE PRODUCTS / SYSTEM PRESENTED.



NO.1, 6TH STREET, Dr.SUBBARAYAN NAGAR,
KODAMBAKKAM, CHENNAI-600 024, INDIA.

PHONE : +91 44 2481 2420, FAX : +91 44 2481 2475,
E-MAIL : engineering@agnicontrols.com WEBSITE : www.balafire.com

**ISO 9001 - 2008
CERTIFIED BY
BUREAU VERITAS**