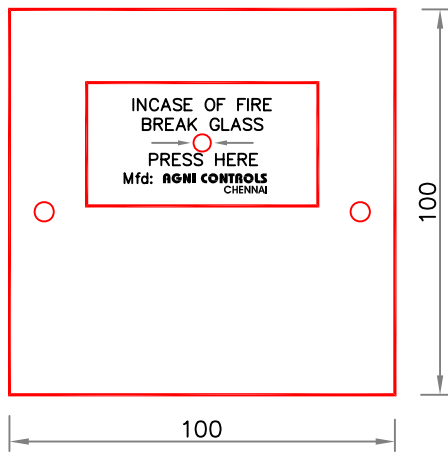


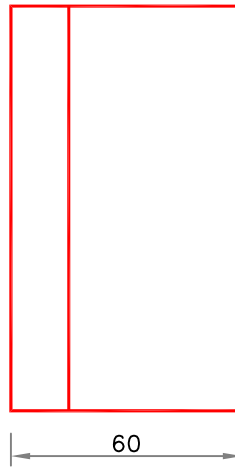
DATA SHEET	ADDRESSABLE MANUAL CALL POINT - BREAK GLASS TYPE FOR INDOOR APPLICATION	PART NO : IH039B-ADD-N
DP-5.8/11-382	DATE : MARCH 2011	REVISION : 00
	SCALE : N.T.S	SHEET : 1 OF 1
		APPD. BY : DB

INTRODUCTION :-

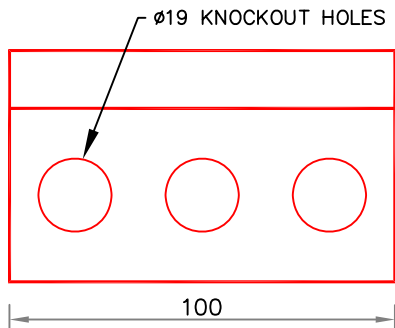
ADDRESSABLE MANUAL CALL POINT IS USED IN THE FIRE ALARM SYSTEM TO CREATE MANUAL FIRE SIGNAL.



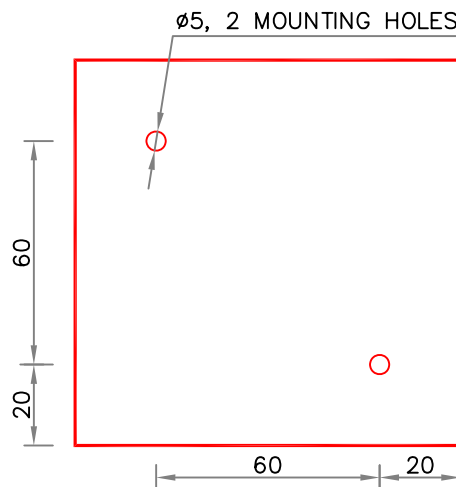
FRONT VIEW



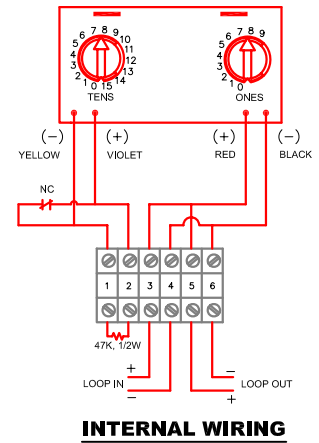
SIDE VIEW



BOTTOM VIEW



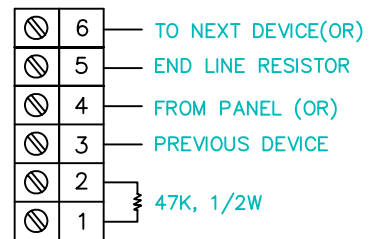
BACK VIEW



INTERNAL WIRING

NOTE:

- SWITCH IS KEPT IN PRESSED CONDITION BY FRONT GLASS. POTENTIAL FREE CONTACT IS "NO " AT THIS CONDITION.
- IN CASE OF BREAKING GLASS SWITCH WILL BE RELEASED AND CONTACT WILL BE CLOSED.



T.B. DETAILS

NOTE:

- ALL DIMENSIONS ARE IN "mm" UNLESS OTHERWISE SPECIFIED.
- TOLERANCE ON DIMENSION ± 3 mm, UNLESS OTHERWISE SPECIFIED.

TECHNICAL SPECIFICATION

01.	CONSTRUCTION	(20 SWG) C.R SHEET	06.	DIMENSION	100(L) x 60(W) x 100(H)
02.	PAINTING PROCESS	POWDER COATING			
03.	COLOUR	SIGNAL RED			
04.	CABLE ENTRY	VIA $\phi 19$ mm KNOCK OUT			
05.	TYPE OF MOUNTING	WALL MOUNTED			

IMPORTANT:

AGNI CONTROLS RESERVES THE RIGHT TO CHANGE OR MODIFY WITHOUT PREVIOUS NOTICE ANY DATA OR SPECIFICATION DUE TO CHANGES OR MODIFICATION IN ORDER TO IMPROVE THE PRODUCTS / SYSTEM PRESENTED.



AGNI CONTROLS CHENNAI

NO.1, 6TH STREET, Dr.SUBBARAYAN NAGAR, KODAMBAKKAM, CHENNAI-600 024, INDIA.

PHONE : +91 44 2481 2420, FAX : +91 44 2481 2475,

E-MAIL : engineering@agnicontrols.com WEBSITE : www.balafire.com

ISO 9001 - 2008 CERTIFIED BY BUREAU VERITAS