

DATA SHEET

MANUAL CALL POINT FOR INDOOR & OUTDOOR APPLICATION

PART NO :
IH039/1W

OLD REF NO :189
DP-5.8/08-102

DATE : OCT-2009

REVISION : 00

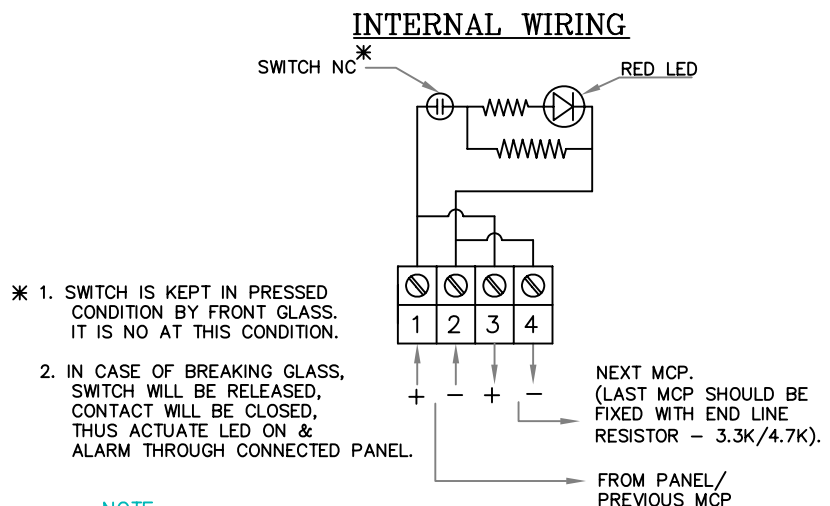
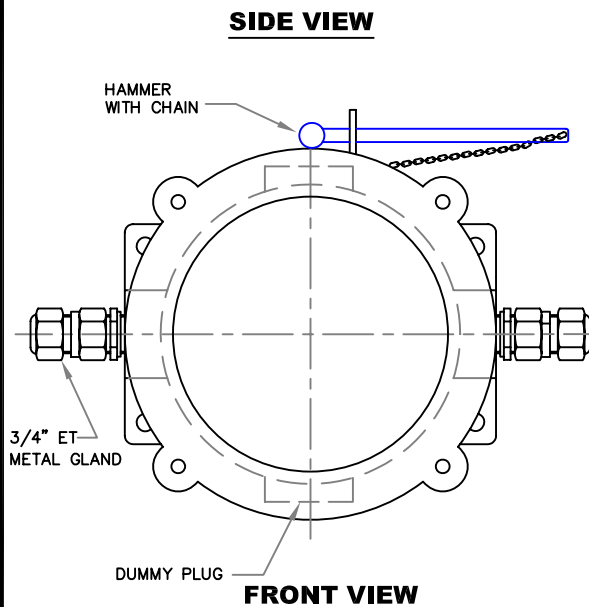
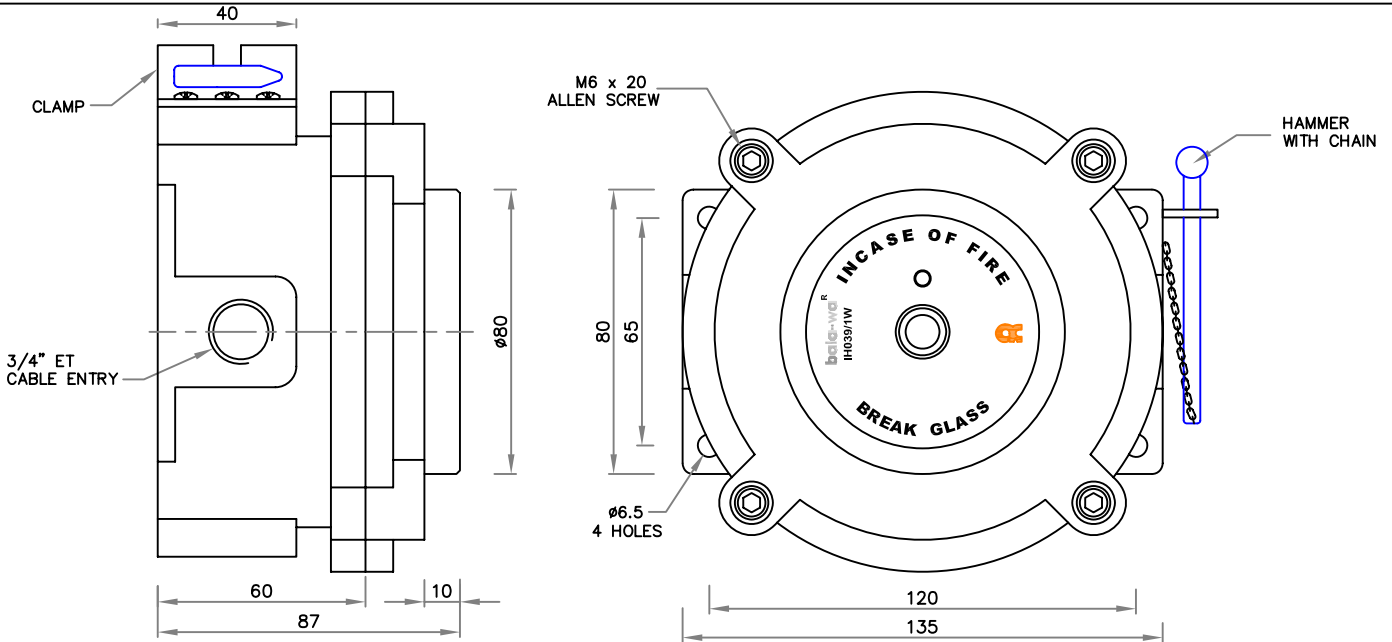
SCALE : N.T.S

SHEET : 1 OF 1

APPD. BY : DB05.

INTRODUCTION :-

MANUAL CALL POINT IS USED TO ACTIVATE FIRE ALARM WARNING. MCP IS TO BE USED WITH SUITABLE CONTROL PANEL. WHEN GLASS OF MCP IS BROKEN, PUSH SWITCH IS RELEASED TO CAUSE NO AND NC STATUS CHANGE.



- * 1. SWITCH IS KEPT IN PRESSED CONDITION BY FRONT GLASS. IT IS NO AT THIS CONDITION.
- 2. IN CASE OF BREAKING GLASS, SWITCH WILL BE RELEASED, CONTACT WILL BE CLOSED, THUS ACTUATE LED ON & ALARM THROUGH CONNECTED PANEL.

NOTE:

- TOLERANCE ON DIMENSION ±3 MM, UNLESS OTHERWISE SPECIFIED.
- ALL DIMENSIONS ARE IN "mm" UNLESS OTHERWISE SPECIFIED.

TECHNICAL SPECIFICATION

01.	MANUFACTURER	AGNI CONTROLS - CHENNAI	06.	CONTACT ELEMENT	1 NO + 1 NC
02.	MODEL NO.	IH039	07.	FASTENERS	SS 304
03.	MATERIAL	CAST ALUMINIUM LM6	08.	PROTECTION CLASS	IP 66
04.	FINISH	POWDER COAT- RED TEXTURED	09.	CURRENT CONSUMPTION	UPTO 50MA
05.	CABLE ENTRY	3/4" ET - 3 Nos.			

IMPORTANT:

AGNI CONTROLS RESERVES THE RIGHT TO CHANGE OR MODIFY WITHOUT PREVIOUS NOTICE ANY DATA OR SPECIFICATION DUE TO CHANGES OR MODIFICATION IN ORDER TO IMPROVE THE PRODUCTS / SYSTEM PRESENTED.

**AGNI CONTROLS
CHENNAI**

ISO 9001 - 2008
CERTIFIED BY
BUREAU VERITAS

NO.1, 6TH STREET, Dr.SUBBARAYAN NAGAR,
KODAMBAKKAM, CHENNAI-600 024, INDIA.
PHONE : +91 44 2481 2420, FAX : +91 44 2481 2475,
E-MAIL : engineering@agnicontrols.com WEBSITE : www.balafire.com