

**DATA SHEET**

**CO2 DISCHARGE NOZZLE-SMALL TYPE**

PART NO :  
IH011 Series

DP-5.8/11-469

DATE : JAN 2012

REVISION : 00

SCALE : N.T.S

SHEET : 1 OF 4

APPD. BY : DB

INTRODUCTION :-

NOZZLE WITH OPEN ORIFICE WITH CONICAL COVER WILL BE FIXED AT APPROPRIATE PLACE IN THE PROTECTED AREA. CO2 WILL BE DISCHARGE THROUGH THE NOZZLE. SUITABLE FOR MACHINERY AND SMALL AREA PROTECTION.

**PART NO: IH011 Series**

<b>SL.NO.</b>	<b>MODEL NO.</b>	<b>DESCRIPTION</b>
1.	IH011-M1/2"-AL	CO2 DISCHARGE NOZZLE SMALL TYPE, 1/2" - MALE THREAD - ALUMINIUM
2.	IH011-M1/2"-SS304	CO2 DISCHARGE NOZZLE SMALL TYPE, 1/2" - MALE THREAD - SS304
3.	IH011-M3/4"-AL	CO2 DISCHARGE NOZZLE SMALL TYPE, 3/4" - MALE THREAD - ALUMINIUM
4.	IH011-M3/4"-SS304	CO2 DISCHARGE NOZZLE SMALL TYPE, 3/4" - MALE THREAD - SS304
5.	IH011-M1"-SS304	CO2 DISCHARGE NOZZLE SMALL TYPE, 1" - MALE THREAD - SS304
6.	IH011-M1"-AL	CO2 DISCHARGE NOZZLE SMALL TYPE, 1" - MALE THREAD - ALUMINIUM
7.	IH011-F3/8"-AL	CO2 DISCHARGE NOZZLE SMALL TYPE, 3/8" - FEMALE THREAD - ALUMINIUM
8.	IH011/1-M1/2"-RN	CO2 DISCHARGE NOZZLE CURVED END TYPE, 1/2" - MALE THREAD - RN
9.	IH011/2-M1/2"-FN	CO2 DISCHARGE NOZZLE FLAT END TYPE, 1/2" - MALE THREAD - FN

IMPORTANT:

AGNI CONTROLS RESERVES THE RIGHT TO CHANGE OR MODIFY WITHOUT PREVIOUS NOTICE ANY DATA OR SPECIFICATION DUE TO CHANGES OR MODIFICATION IN ORDER TO IMPROVE THE PRODUCTS / SYSTEM PRESENTED.



**AGNI CONTROLS**  
**CHENNAI**

NO.1, 6TH STREET, Dr.SUBBARAYAN NAGAR,  
KODAMBAKKAM, CHENNAI-600 024, INDIA.

PHONE : +91 44 2481 2420, FAX : +91 44 2481 2475,  
E-MAIL : engineering@agnicontrols.com WEBSITE : www.balafire.com

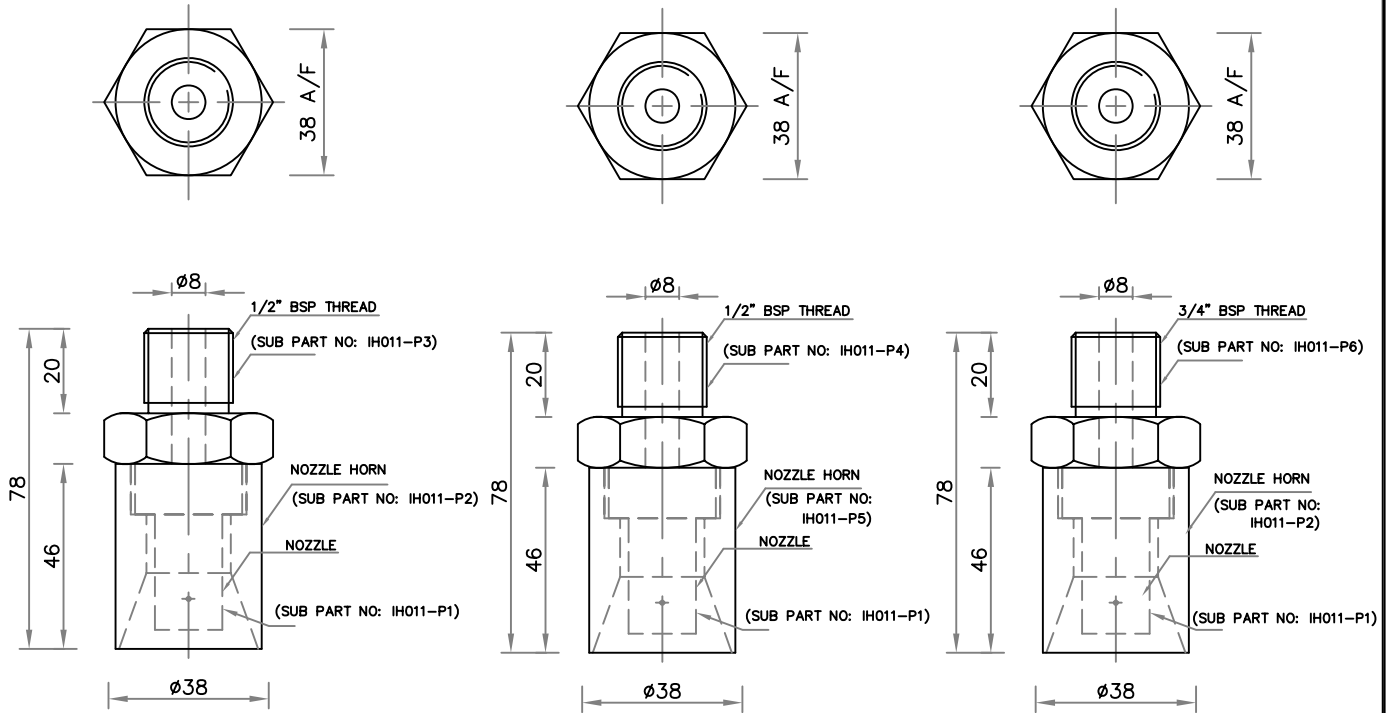
**ISO 9001 - 2008**  
**CERTIFIED BY**  
**BUREAU VERITAS**

<b>DATA SHEET</b>	<b>CO2 DISCHARGE NOZZLE-SMALL TYPE</b>	PART NO : IH011 Series		
DP-5.8/11-469	DATE : JAN 2012	REVISION : 00	SCALE : N.T.S	SHEET : 2 OF 4 APPD. BY : DB

**MODEL NO: IH011-M1/2" - AL**

**MODEL NO: IH011-M1/2" - SS304**

**MODEL NO: IH011-M3/4" - AL**



**TECHNICAL SPECIFICATION**

SL. NO.	MODEL NO: IH011-M1/2" - AL		MODEL NO: IH011-M1/2" - SS304		MODEL NO: IH011-M3/4" - AL	
01.	MANUFACTURER	AGNI CONTROLS – CHENNAI	MANUFACTURER	AGNI CONTROLS – CHENNAI	MANUFACTURER	AGNI CONTROLS – CHENNAI
02.	NOZZLE HORN	MATERIAL OF CONSTRUCTION – ALUMINIUM	NOZZLE HORN	MATERIAL OF CONSTRUCTION – SS304	NOZZLE HORN	MATERIAL OF CONSTRUCTION – ALUMINIUM
03.	NOZZLE	MATERIAL OF CONSTRUCTION – BRASS (NICKEL PLATED)	NOZZLE	MATERIAL OF CONSTRUCTION – BRASS (NICKEL PLATED)	NOZZLE	MATERIAL OF CONSTRUCTION – BRASS (NICKEL PLATED)
04.	ORIFICE	AS PER REQUIREMENT	ORIFICE	AS PER REQUIREMENT	ORIFICE	AS PER REQUIREMENT

IMPORTANT:

AGNI CONTROLS RESERVES THE RIGHT TO CHANGE OR MODIFY WITHOUT PREVIOUS NOTICE ANY DATA OR SPECIFICATION DUE TO CHANGES OR MODIFICATION IN ORDER TO IMPROVE THE PRODUCTS / SYSTEM PRESENTED.



**AGNI CONTROLS  
CHENNAI**

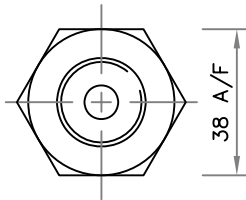
NO.1, 6TH STREET, Dr.SUBBARAYAN NAGAR,  
KODAMBAKKAM, CHENNAI-600 024, INDIA.

PHONE : +91 44 2481 2420, FAX : +91 44 2481 2475,  
E-MAIL : engineering@agnicontrols.com WEBSITE : www.balafire.com

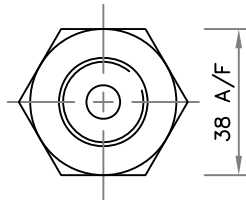
**ISO 9001 - 2008  
CERTIFIED BY  
BUREAU VERITAS**

<b>DATA SHEET</b>	<b>CO2 DISCHARGE NOZZLE-SMALL TYPE</b>	PART NO : IH011 Series		
DP-5.8/11-469	DATE : JAN 2012	REVISION : 00	SCALE : N.T.S	SHEET : 3 OF 4 APPD. BY : DB

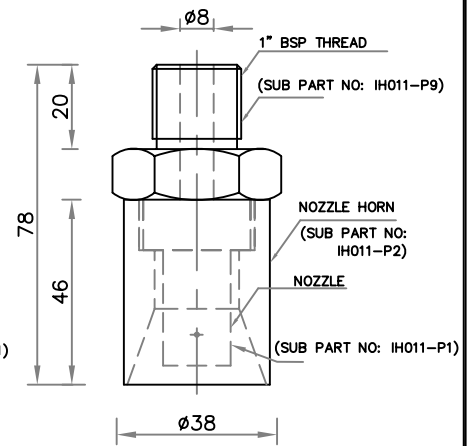
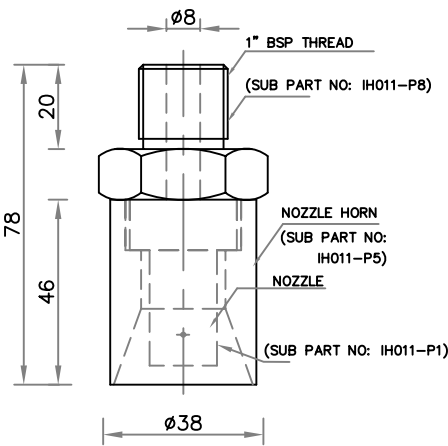
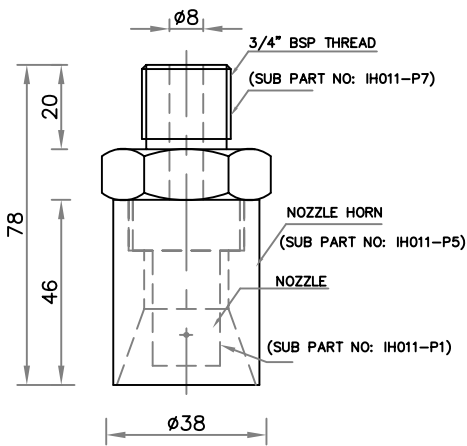
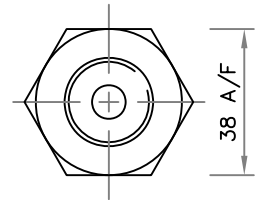
**MODEL NO: IH011-M3/4" - SS304**



**MODEL NO: IH011-M1" - SS304**



**MODEL NO: IH011-M1" - AL**



**TECHNICAL SPECIFICATION**

SL. NO.	MODEL NO: IH011-M3/4" - SS304		MODEL NO: IH011-M1" - SS304		MODEL NO: IH011-M1" - AL	
01.	MANUFACTURER	AGNI CONTROLS – CHENNAI	MANUFACTURER	AGNI CONTROLS – CHENNAI	MANUFACTURER	AGNI CONTROLS – CHENNAI
02.	NOZZLE HORN	MATERIAL OF CONSTRUCTION – SS304	NOZZLE HORN	MATERIAL OF CONSTRUCTION – SS304	NOZZLE HORN	MATERIAL OF CONSTRUCTION – ALUMINIUM
03.	NOZZLE	MATERIAL OF CONSTRUCTION – BRASS (NICKEL PLATED)	NOZZLE	MATERIAL OF CONSTRUCTION – BRASS (NICKEL PLATED)	NOZZLE	MATERIAL OF CONSTRUCTION – BRASS (NICKEL PLATED)
04.	ORIFICE	AS PER REQUIREMENT	ORIFICE	AS PER REQUIREMENT	ORIFICE	AS PER REQUIREMENT

**IMPORTANT:**

AGNI CONTROLS RESERVES THE RIGHT TO CHANGE OR MODIFY WITHOUT PREVIOUS NOTICE ANY DATA OR SPECIFICATION DUE TO CHANGES OR MODIFICATION IN ORDER TO IMPROVE THE PRODUCTS / SYSTEM PRESENTED.



**AGNI CONTROLS**  
**CHENNAI**

NO.1, 6TH STREET, Dr.SUBBARAYAN NAGAR,  
KODAMBAKKAM, CHENNAI-600 024, INDIA.

PHONE : +91 44 2481 2420, FAX : +91 44 2481 2475,  
E-MAIL : engineering@agnicontrols.com WEBSITE : www.balafire.com

**ISO 9001 - 2008**  
**CERTIFIED BY**  
**BUREAU VERITAS**

**DATA SHEET**

**CO2 DISCHARGE NOZZLE-SMALL TYPE**

PART NO :  
IH011 Series

DP-5.8/11-469

DATE : JAN 2012

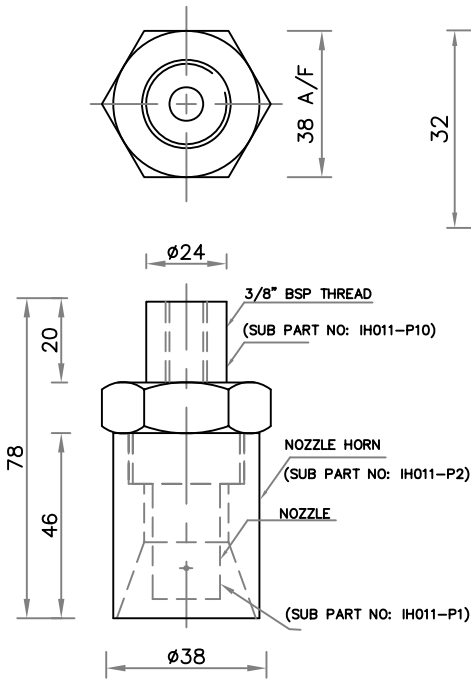
REVISION : 00

SCALE : N.T.S

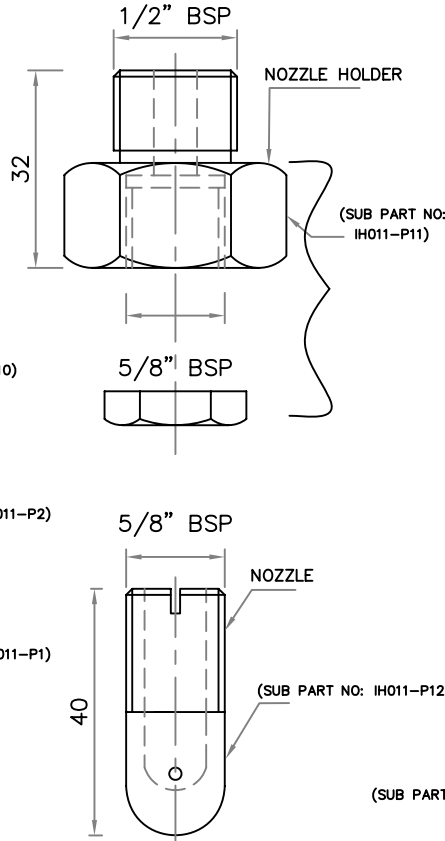
SHEET : 4 OF 4

APPD. BY : DB

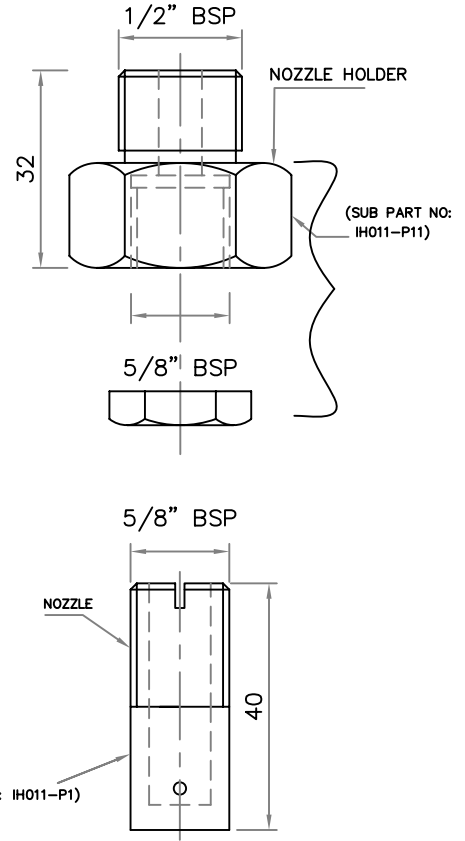
**MODEL NO: IH011-F3/8" - AL**



**MODEL NO: IH011/1-M1/2" - RN**



**MODEL NO: IH011/2-M1/2" - FN**



**TECHNICAL SPECIFICATION**

SL. NO.	MODEL NO: IH011-F3/8" - AL		MODEL NO: IH011/1-M1/2" - RN		MODEL NO: IH011/2-M1/2" - FN	
01.	MANUFACTURER	AGNI CONTROLS - CHENNAI	MANUFACTURER	AGNI CONTROLS - CHENNAI	MANUFACTURER	AGNI CONTROLS - CHENNAI
02.	NOZZLE HORN	MATERIAL OF CONSTRUCTION - ALUMINIUM	NOZZLE HOLDER	MATERIAL OF CONSTRUCTION - BRASS (NICKEL PLATED)	NOZZLE HOLDER	MATERIAL OF CONSTRUCTION - BRASS (NICKEL PLATED)
03.	NOZZLE	MATERIAL OF CONSTRUCTION - BRASS (NICKEL PLATED)	NOZZLE	MATERIAL OF CONSTRUCTION - BRASS (NICKEL PLATED)	NOZZLE	MATERIAL OF CONSTRUCTION - BRASS (NICKEL PLATED)
04.	ORIFICE	AS PER REQUIREMENT	ORIFICE	AS PER REQUIREMENT	ORIFICE	AS PER REQUIREMENT

**IMPORTANT:**

AGNI CONTROLS RESERVES THE RIGHT TO CHANGE OR MODIFY WITHOUT PREVIOUS NOTICE ANY DATA OR SPECIFICATION DUE TO CHANGES OR MODIFICATION IN ORDER TO IMPROVE THE PRODUCTS / SYSTEM PRESENTED.



**AGNI CONTROLS  
CHENNAI**

NO.1, 6TH STREET, Dr.SUBBARAYAN NAGAR,  
KODAMBAKKAM, CHENNAI-600 024, INDIA.

PHONE : +91 44 2481 2420, FAX : +91 44 2481 2475,  
E-MAIL : engineering@agnicontrols.com WEBSITE : www.balafire.com

**ISO 9001 - 2008  
CERTIFIED BY  
BUREAU VERITAS**